

OIL INDIA LIMITED
(A Government of India Enterprise)
P.O. Duliajan, Pin – 786602
Dist-Dibrugarh, Assam

AMENDMENT NO. 1 DATED 03.11.2022 TO TENDER NO. SDG1901P23/07.

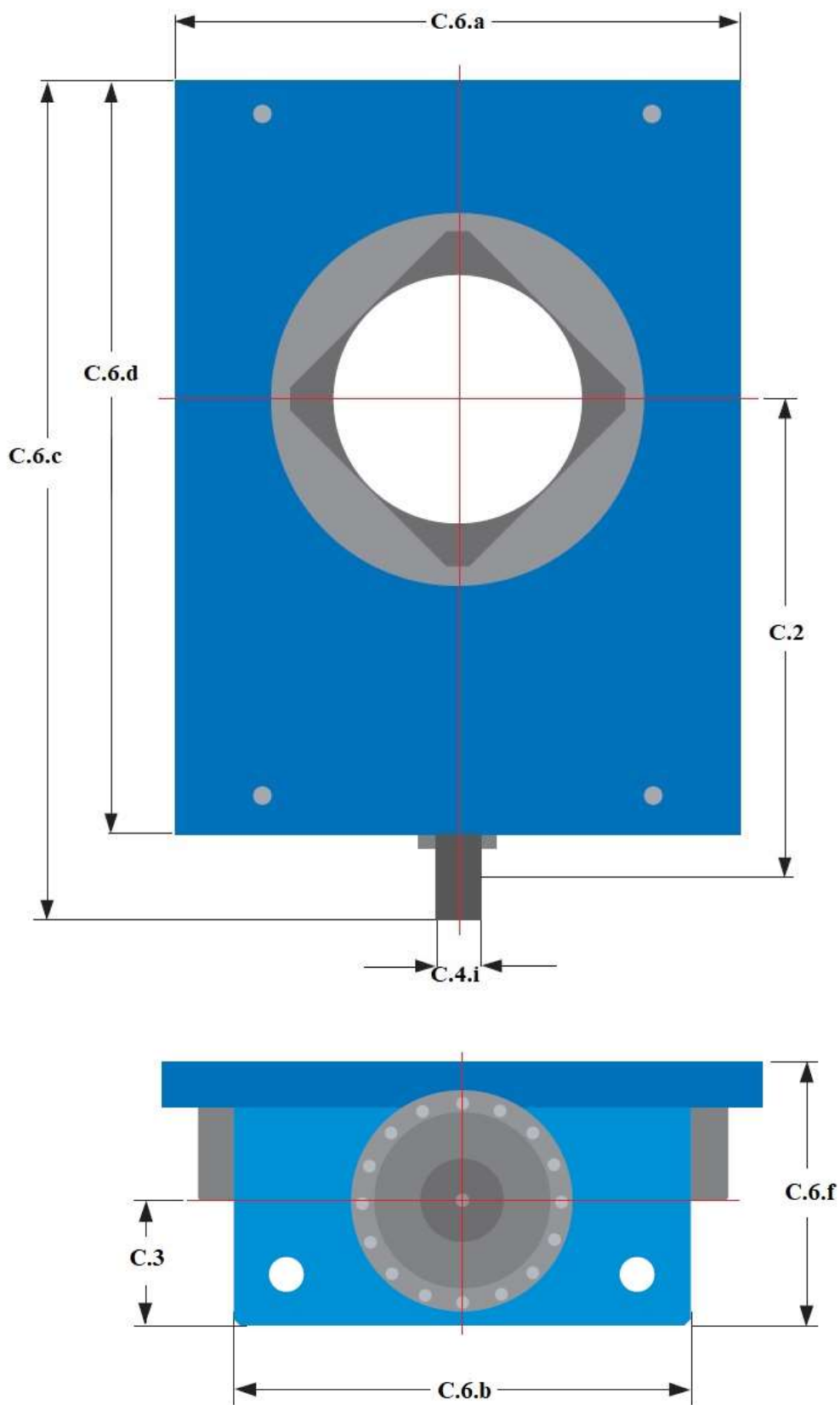
This amendment is issued for the following:

AA) To amend the technical specifications of the tender as under:

| Existing Specification | Amended Specification |
|--|--|
| Annexure – B Item specifications | |
| A.9 The rotary table needs to be engaged to rotary table beam with pad eyes pin shafts; as per given diagram. | DELETED. |
| <p>C.6 Major Dimensions: (Annexure BB)</p> <p>C.6.a Width across table cover: 70.3/4" (1797 mm)</p> <p>C.6.b Width across base: 56.3/4" (1442 mm)</p> <p>C.6.c Overall length (from guard end to end of pinion shaft): 95.3/4" (2432 mm)</p> <p>C.6.d Length across guards: 86" (2184 mm)</p> <p>C.6.e Length of base (table base): 83" (2108 mm)</p> <p>C.6.f Overall height: 28.1/4" (718 mm)</p> | <p>C.6 Major Dimensions: Refer Drawing</p> <p>C.6.a Width across table: 70.3/4" (1797 mm) to 71.1/4" (1810 mm)</p> <p>C.6.b Width across base: 56.3/4" (1442 mm) to 56.92" (1446 mm)</p> <p>C.6.c Overall length (from guard end to end of pinion shaft): 95.3/4" (2432 mm) to 97.16" (2468 mm)</p> <p>C.6.d Length across guards: 86" (2184 mm) to 86.1/2" (2197 mm)</p> <p>C.6.e Length of base (table base): 83" (2108 mm) to 83.46" (2120 mm)</p> <p>C.6.f Overall height: 28.14"(715 mm) to 28.1/4" (718 mm)</p> |
| <p>C.9 Rotary Table should be complete with Drive Sprocket consisting of Sprocket Hub and Quadruple Tooth Sprocket with 37 teeth & 1.5" (38.10 mm) pitch, installed on pinion shaft. Quantity: 01(One) Set.</p> | <p>C.9 Rotary Table should be complete with Drive Sprocket consisting of Sprocket Hub and Double Tooth Sprocket with 26 teeth & 2" (50.8 mm) pitch, installed on pinion shaft. Quantity: 01(One) Set.</p> |
| C11. NEW CLAUSE | <p>C.11 Rotary table should be compatible with RT2010-D Transmission of NATIONAL</p> |

| | |
|---|---|
| | OILWELL. |
| <p>D.1 MASTER BUSHING - QTY: 1 (ONE) NO. (Against 2 no of Rotary Tables) :</p> <p>One (01) no of Split Body Pin drive Master Bushing as per API spec 7K for 37.1/2" Rotary Table, complete with 1 (one) no of API No. 3 Insert bowl, (2-3/8" to 8-5/8"), and 1(one) no of Lifting sling.</p> | <p>D.1 MASTER BUSHING - QTY = 1 (ONE) NO. (Against 1 no of Rotary Table) :</p> <p>One (01) no of Split Body Pin drive Master Bushing as per API spec 7K for 37.1/2" Rotary Table, complete with 1 (one) no of API No. 3 Insert bowl, (2-3/8" to 8-5/8"), and 1(one) no of Lifting sling.</p> |
| <p>D.2 SPLIT CASING BUSHING - QTY: 4(FOUR) NOS. (Against 2 no of Rotary Tables)</p> <p>Four (04) nos. of Split Casing Bushing with Lifting Sling as per API spec 7K for 37.1/2" Rotary Table for handling 20", 13.3/8", 9.5/8" and 7" Casings.</p> | <p>D.2 SPLIT CASING BUSHING - QTY = 4 (FOUR) NOS.</p> <p>Four (04) nos. of Split Casing Bushing with Lifting Sling as per API spec 7K for 37.1/2" Rotary Table for handling 20", 13.3/8", 9.5/8" and 7" Casings. (1 split pair for each size of casing)</p> |
| <p>D.3 Spare Sprocket Hub along with quadruple tooth sprocket 37 Teeth & 1.5" (38.10 mm) pitch. Quantity: 01(One) No with each table.</p> | <p>D.3 Extra Double Tooth Sprocket Hub with 26 Teeth & 2" (50.8 mm) Pitch. Quantity = 02 (Two) Nos.</p> |
| Annexure - H (Drawings etc.) | |
| Drawing - Total 4 Nos. | Drawing - Total 1 Nos. only |

Amended drawing of SDG1901P23- 37.1/2" ROTARY TABLE



BB) All other terms and condition of the tender remain unchanged.

Sd/-

(TUHIN ROY)

CMM-FD

MATERIALS DEPARTMENT

FOR GM- MATERIALS

FOR RESIDENT CHIEF EXECUTIVE